



24 POINT COLLISION REPAIR PROCESS

1



Estimate Prepared

2



Estimated Completion Date Given

3



Owner Signs Repair Authorization

4



Insurance Negotiations Completed

5



Parts Ordered

6



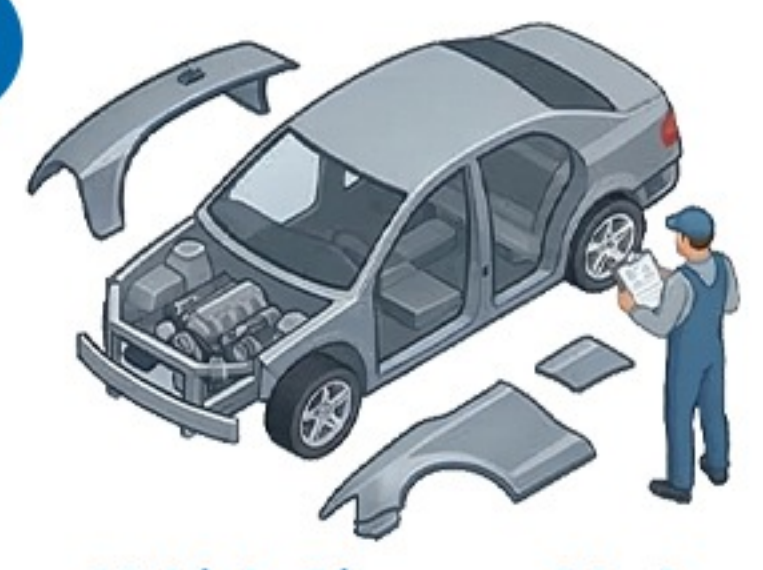
Parts Received

7



Vehicle Scheduled In For Repairs

8



Vehicle Disassembled and Re-inspected

9



Supplement Report Written if Necessary

10



Supplement Approved

11



Additional Parts Ordered if Necessary

12



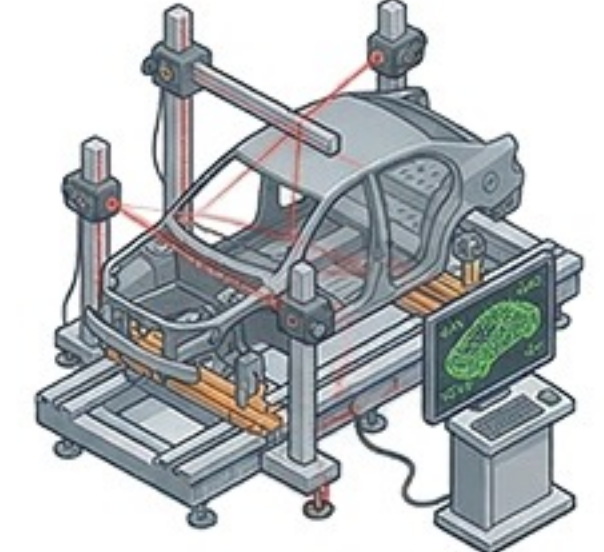
Scheduled Completion Date Given

13



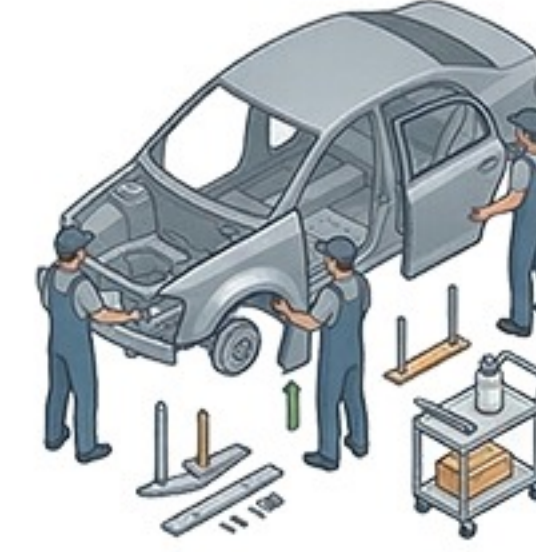
Structural and Body Repairs

14



Vehicle Setup on Unibody Repair Equipment

15



New Panels Prepared and Installed

16



Priming, Sealing and Corrosion Protection

17



All Work Inspected, Initial Test Done, Ready for Paint Dept.

18



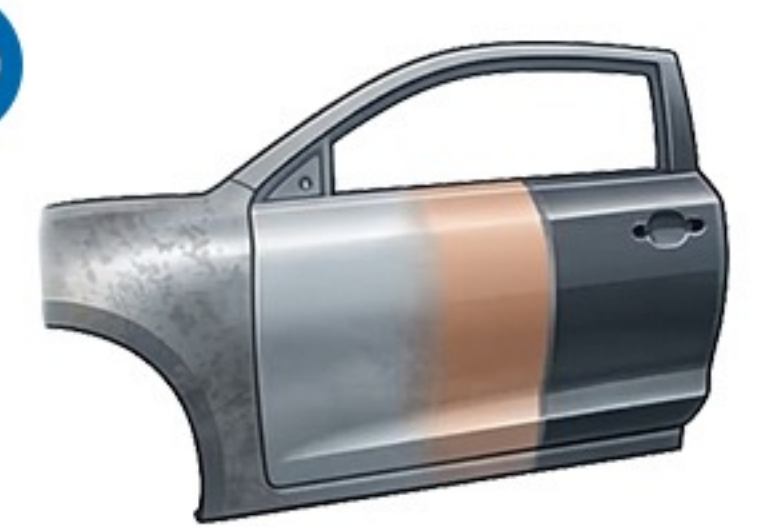
Ready for Paint, Confirmed Completion Date Given

19



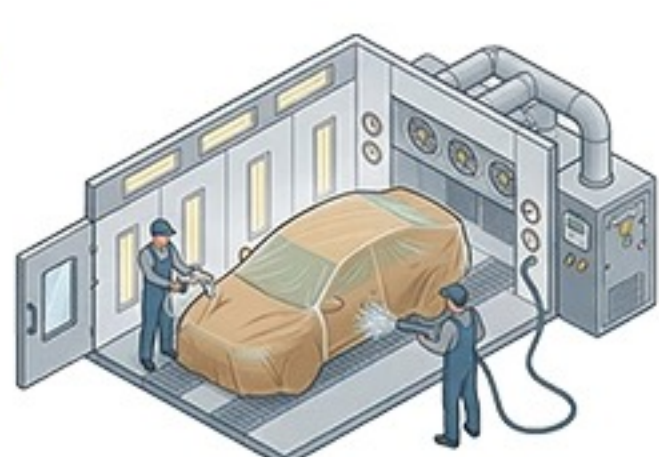
Pressure Washed and Chemically Cleaned

20



Vehicle Prepped, Primed, Sanded and Sealed

21



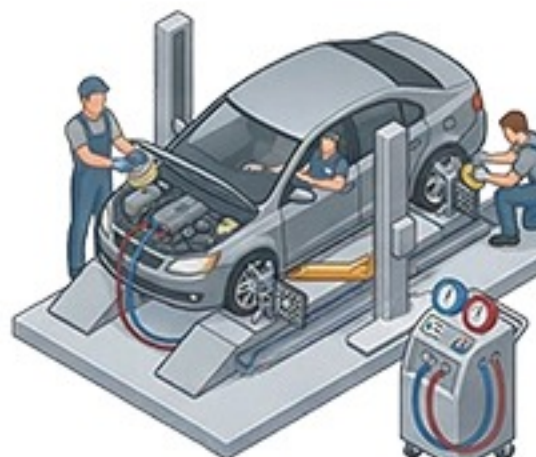
Taped, Bagged, Masked, Blown Off and Placed in Down Draft Spray Booth Oven

22



Multi-Step Refinishing Process Using Acrylic Urethane Paint System

23



Reassembly, Wheel Alignment, Airconditioning, Detailing, Final Inspection & Test Drive

24



Owner Notified of Completion with Delivery Confirmation

Serving Ottawa

📍 Downtown
📍 Nepean

📍 Barrhaven
📍 Gatineau

📍 South Keys
📍 Gloucester

📍 Orleans
📍 Rockland

📍 Embrun